

Digital Cabinets Bar Equipment 2-door Refrigerator, 15.8 cu.ft, 48"

ITEM # _____

MODEL # _____

NAME # _____

SIS # _____

AIA # _____



738119 (KCBB60SB-HC)

Bar Equipment - 2-door
refrigerator, black, 15.8 cubic
feet, R290 refrigerant
gas, +33/+41°C

Short Form Specification

Item No. _____

Back bar refrigerator. Internal and external structure in painted steel and aluminum. Fin & tube condenser to improve the performances in high-temperature environments. Automatic Defrost Cooling System and digital temperature control.

Heavy duty adjustable shelves and stay-open self-closing doors.

R290 gas in the refrigeration circuit.

ETL Safety and Sanitation certified.

3/5 Years warranty.

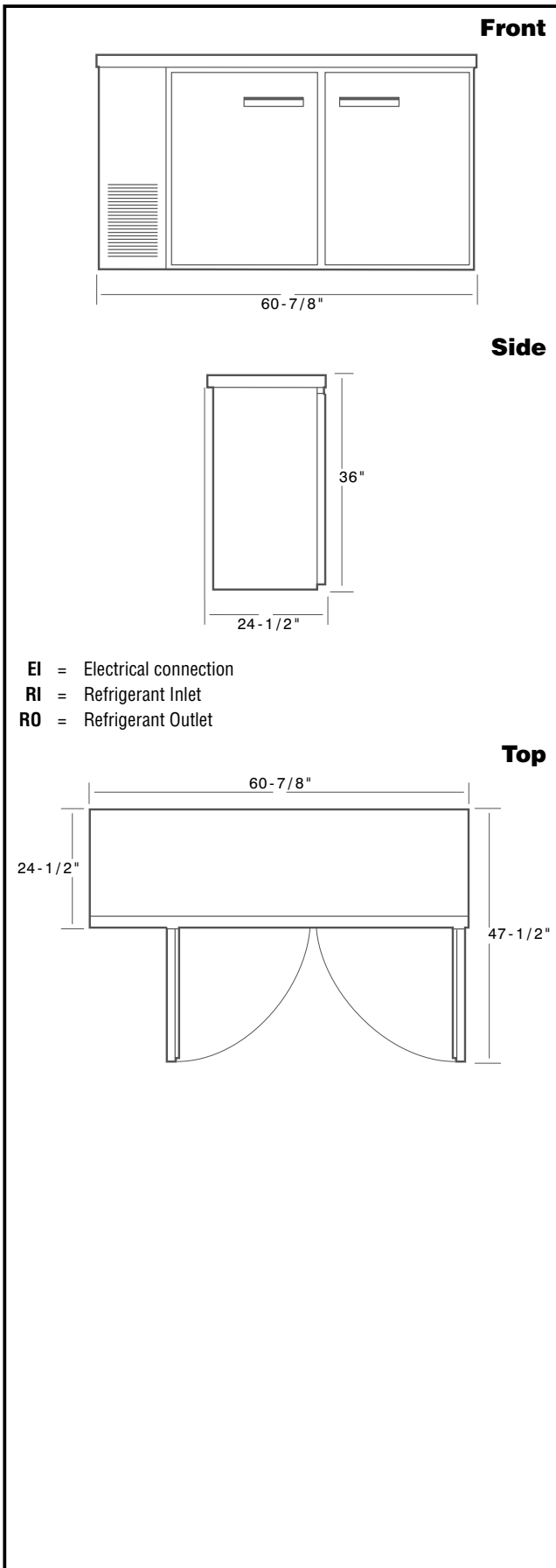
Main Features

- Fin & Tube Condenser improves performance in high temperature environments.
- Automatic Defrost Cooling System provides worry-free performance.
- Digital temperature control.
- 1/5 HP Compressor.
- Heavy duty adjustable shelves, easy to handle and keep clean.
- Stay-open Self-Closing doors.
- Hydrocarbon refrigerant gas R290 for the lowest environmental impact (GWP=3) - CFC and HCFC free.

Construction

- Painted steel/Painted aluminium exterior and interior.
- Secure and inventory locking lids protect the contents of the unit.

APPROVAL: _____



Electric

| | | |
|------------------------|----------------------|------------------|
| Supply voltage: | 738119 (KCBB60SB-HC) | 115 V/1 ph/60 Hz |
| Electrical power, max: | | 0.736 kW |
| Plug type: | | USA NEMA 5-15P |

Key Information:

| | |
|--------------------------------------|------------------------|
| Capacity (Cu.Ft.) | 15.8 |
| Door hinges: | 1 Left+1 Right |
| External dimensions, Width: | 60 7/8" (1546.225 mm) |
| External dimensions, Depth: | 24 1/2" (622.3 mm) |
| External dimensions, Height: | 36 " (914.4 mm) |
| Number and type of doors: | 2 Full |
| Number and type of grids (included): | 4 - Vynil-Coated Steel |
| Type of external material: | Black Prepainted Steel |
| Type of internal material: | 304 AISI |
| Warranty: | 3 / 5 years |

Refrigeration Data

| | |
|-----------------------------|------------|
| Compressor Horsepower: | 1/5 |
| Refrigerant type: | R290 |
| Operating temperature min.: | 33.01 °F |
| Operating temperature max.: | 41 °F |
| Condenser type: | Fin & tube |